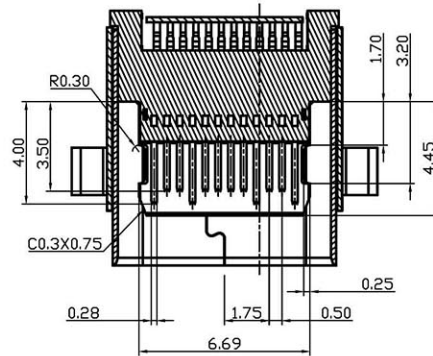
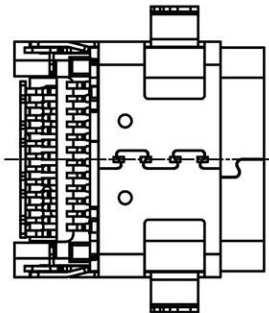
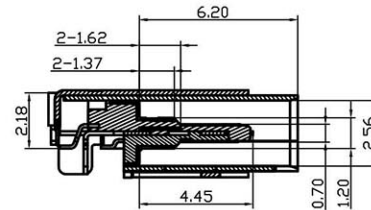


RECOMMEND PCB LAYOUT  
(JACK TOP VIEW)  
TOLERANCE:  $\pm 0.05\text{mm}$   
RECOMMEND PCB THICKNESS: 1.00mm/1.20mm



SECTION A-A  
SCALE 1:1



SECTION B-B  
SCALE 1:1

Model No.: USBC-F-1C