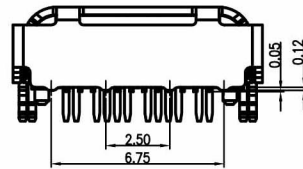
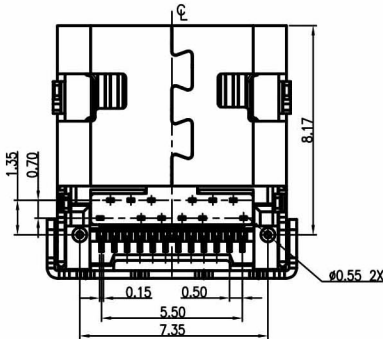


CONNECTOR FRONT EDGE
 RECOMMEND PCB LAYOUT (JACK TOP VIEW)
 TOLERANCE: ±0.05mm
 RECOMMEND PCB THICKNESS: 1.00 OR 1.20mm



Model No.: USBC-F-1B