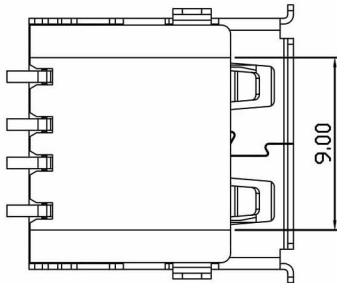
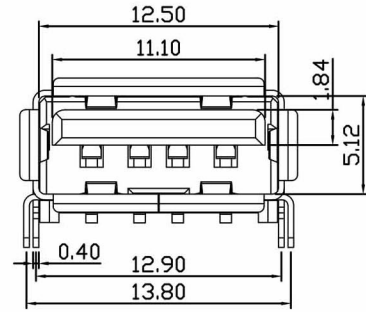
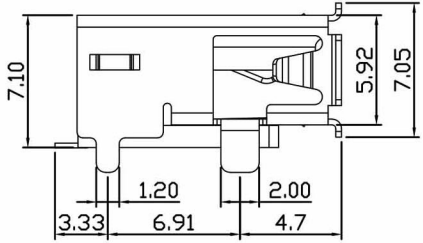


RECOMMEND PCB HOLES LAYOUT (t=1.6mm)  
TOP VIEW (TOLERANCE: ±0.05mm)



Model No.: USB-A-16F