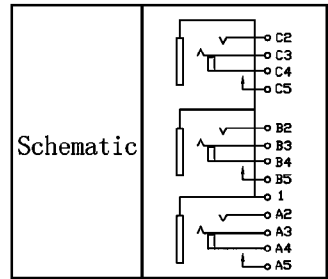
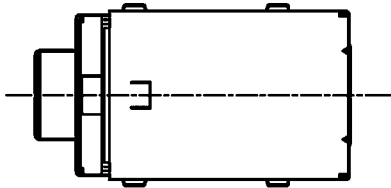
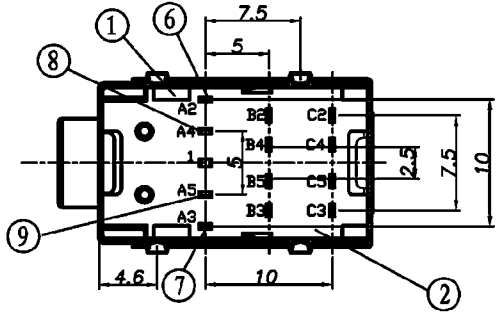


RECOMMENDED P. C. B. LAYOUT  
 UNSPECIFIED TOLERANCE: ±0.05  
 (COPPER SIDED VIEW)



Model No. ST-3019