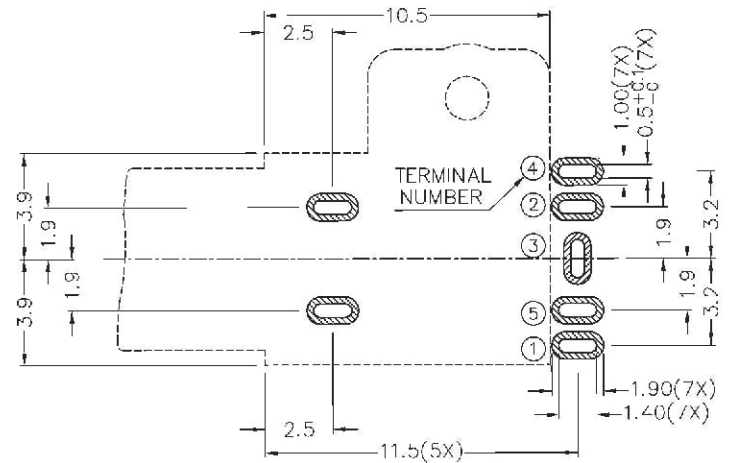
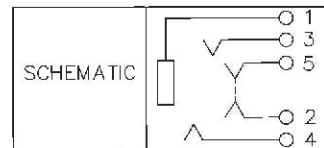


*** MATERIAL**

- TERMINAL 1 : COPPER ALLOY
- TERMINAL 2 : COPPER ALLOY
- TERMINAL 3 : COPPER ALLOY
- TERMINAL 4 : COPPER ALLOY
- TERMINAL 5 : COPPER ALLOY
- SUPPORT : BRASS
- HOUSING : PA66
- COVER : PA66



RECOMMENDED
SOLDER PAD LAYOUT
(TOP VIEW)

ITEM NO. ST-3002(WP)