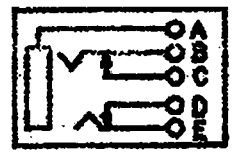
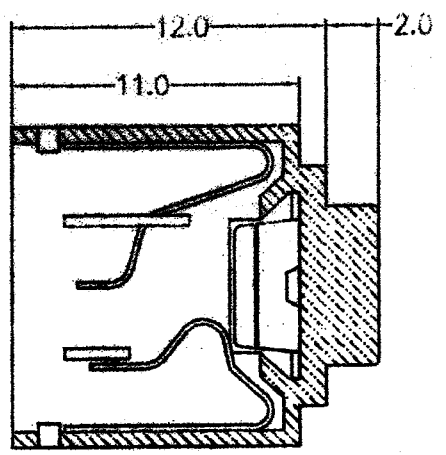


PCB LAYOUT



SCHEMATIC

Model No. ST-222