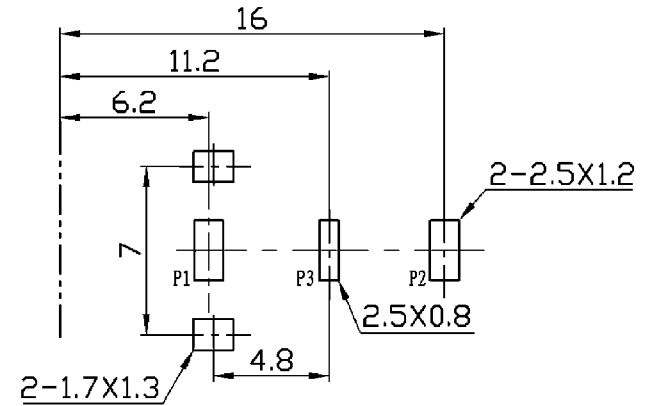
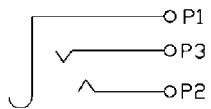


Dimensions of PC board holes (Commend)

Top View (t=1.6mm) ⊗



Circuit Diagram



Model No. ST-032-03