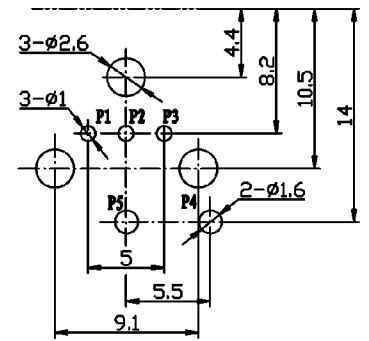


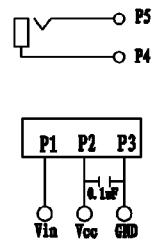
Dimensions of PC board holes (Commend)
Bottom View ($t=1.6\text{mm}$) \odot



Color Layout



Circuit Diagram



Model No. RSGQ-03A(T)