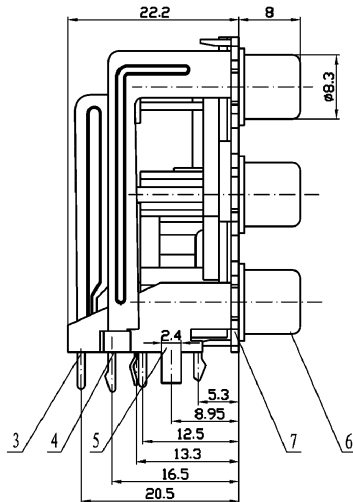
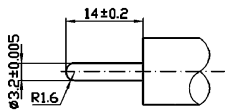
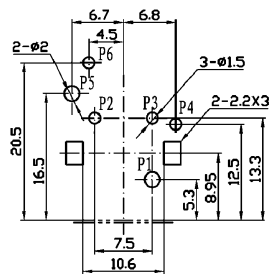


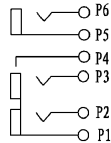
Gauge Plug



Dimensions of PC board holes (Commend)  
Top View (t=1.6mm) ⊗



Circuit Diagram



Model No. RS-343A1