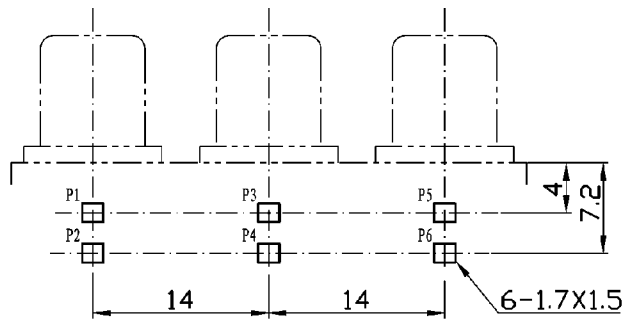
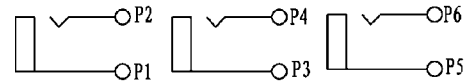


Dimensions of PC board holes (Commend)

Bottom View ( $t=1.6\text{mm}$ )



Circuit Diagram



Model No. RS-331