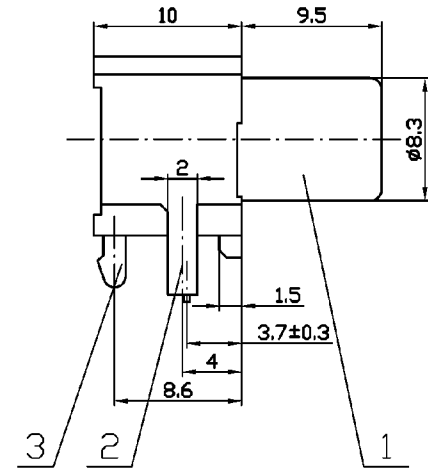
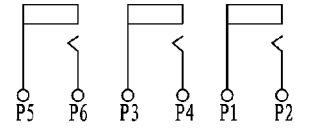


Dimensions of PC board holes (Commend)

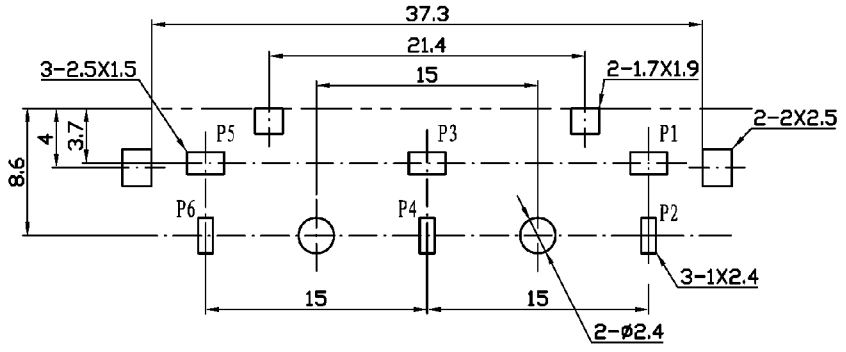
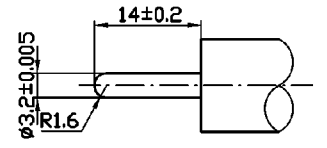
Bottom View (t=1.6mm) ⊙



Circuit Diagram



Gauge Plug



Model No. RS-320