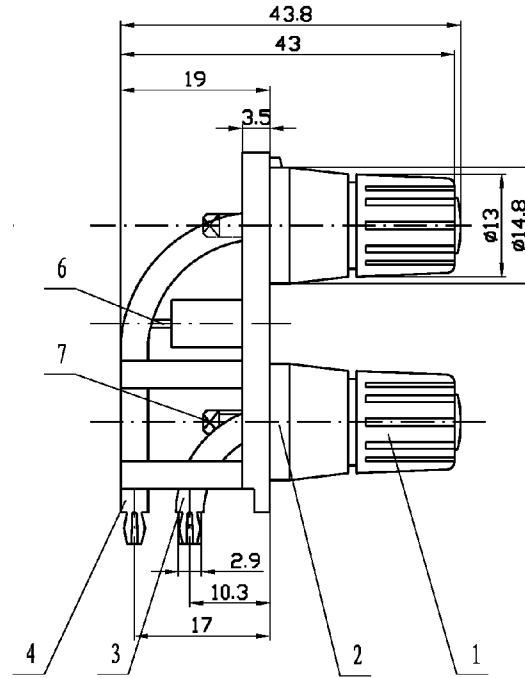
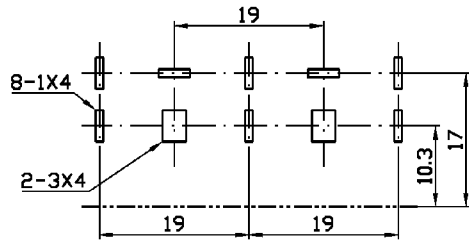


Dimensions of PC board holes (Commend)



Model No. PT-630AP