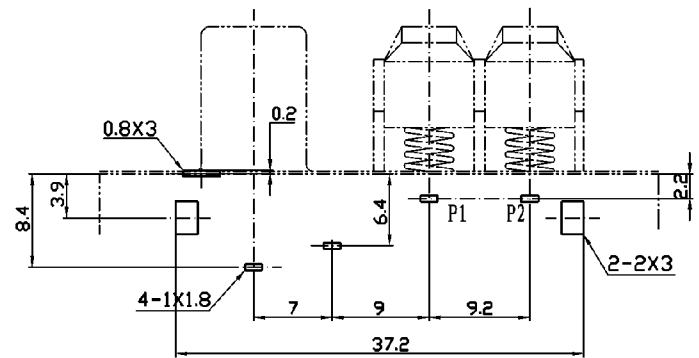
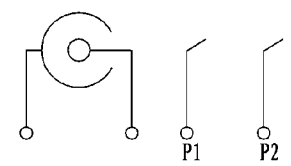


Dimensions of PC board holes (Commend)

Bottom View (t=1.6mm) \odot



Circuit Diagram



Model No. PT-216