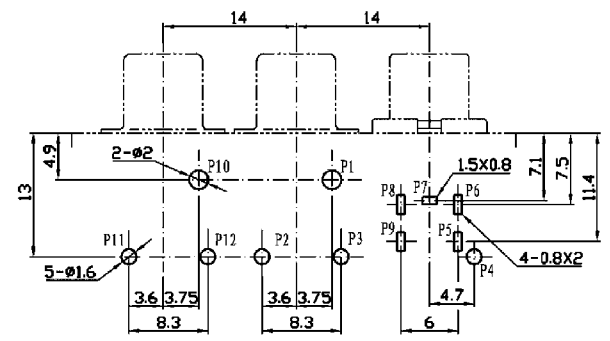
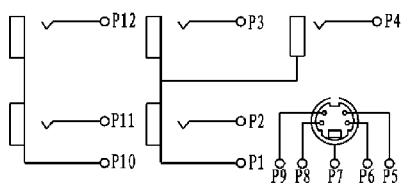


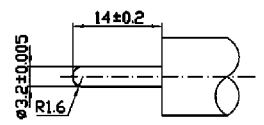
Dimensions of PC board holes (Commend)
Bottom View (t=1.6mm) \odot



Circuit Diagram



RCA Gauge Plug



Model No. MDW-103