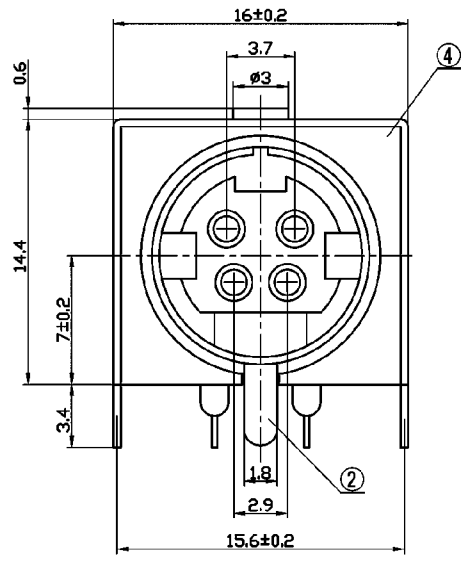
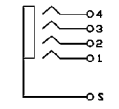
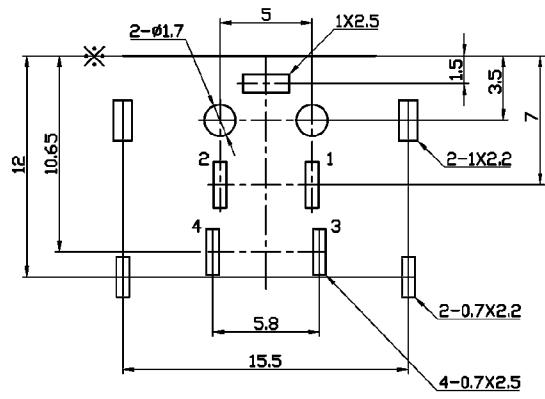


SCHEMATIC



PCB LAYOUT
(FRONT VIEW)



Model No. MD-604BSA