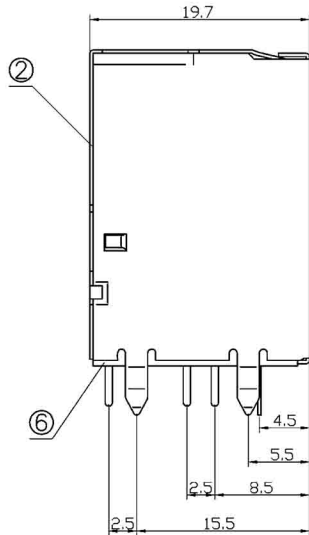
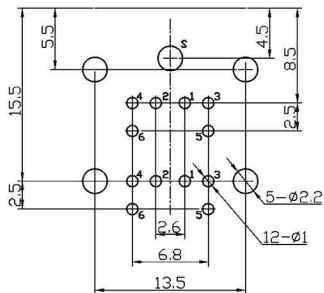
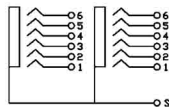


PCB LAYOUT
(BOTTOM VIEW)



SCHEMATIC



Item No. MD-205D