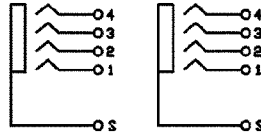
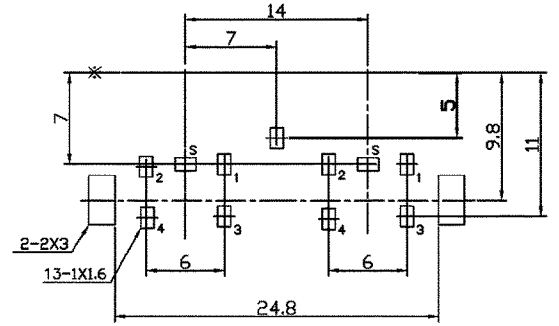


SCHEMATIC

MINI DIN



PCB LAYOUT
(BOTTOM VIEW)



Model No. MD-201