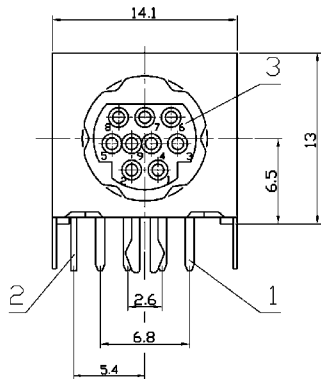
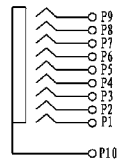
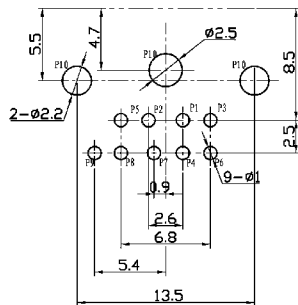


Circuit Diagram



Dimensions of PC board holes (Commend)

Bottom View (t=1.6mm) Ⓞ



Model No. MD-132D-9P