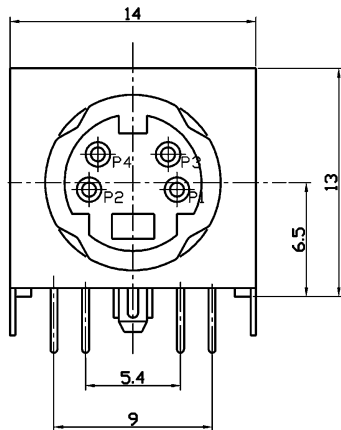
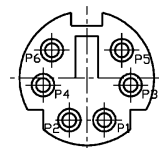
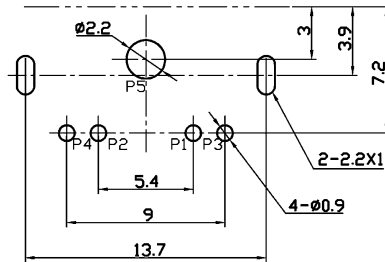


MD-130-4P



Dimensions of PC board holes (Commend)

Bottom View (t=1.6mm)



MD-130-6P

Circuit Diagram

