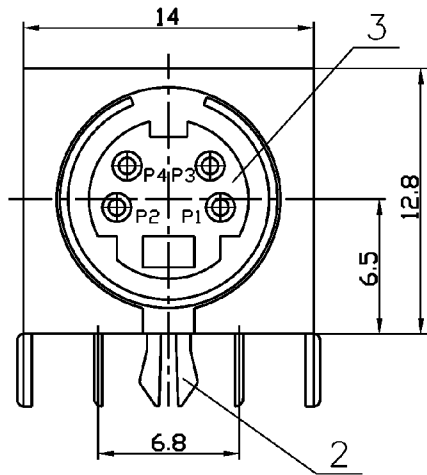
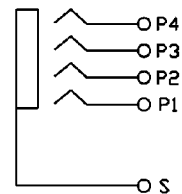
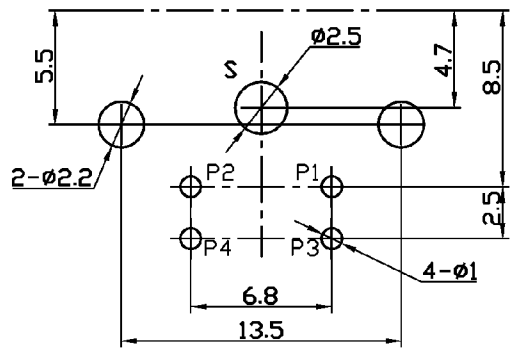


Circuit Diagram



Dimensions of PC board holes (Commend)

Bottom View



Model No. MD-103D-4P