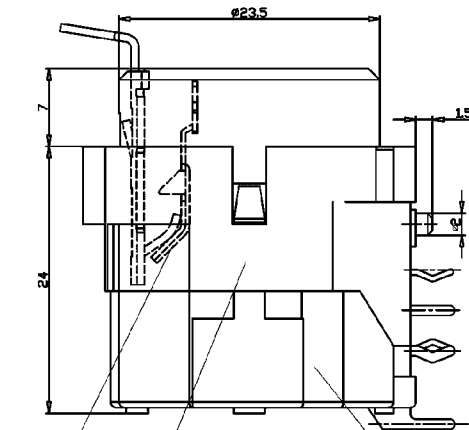
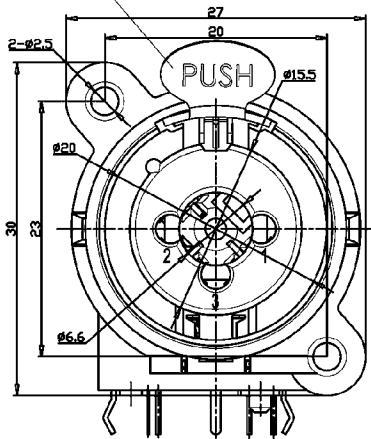
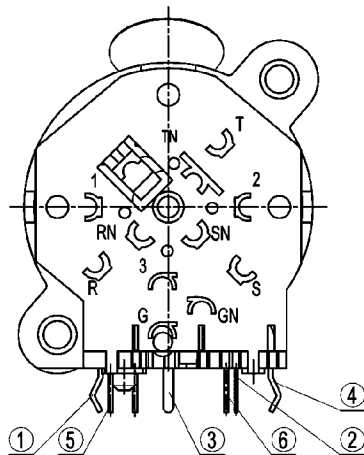


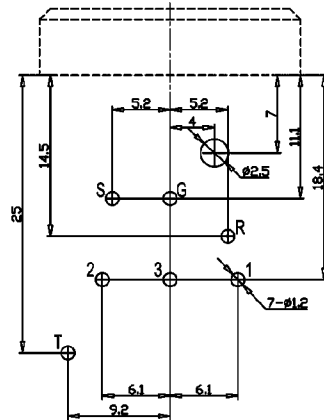
⑪ ⑦



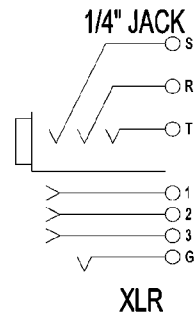
⑩ ⑨ ⑧
A向
View From A



印制电路板示意图(底视图)
PCB Layout(Bottom View)



接点示意图
Schematic Layout



Model No. MC-802-7P