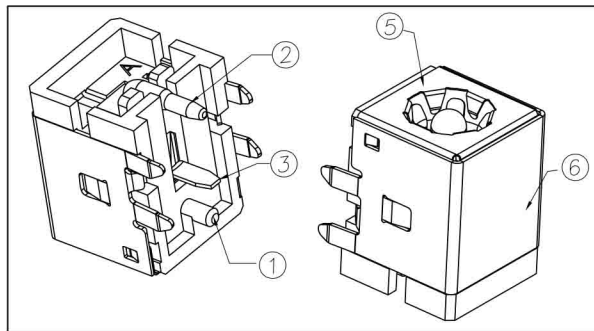


RECOMMENDED P. C. B. LAYOUT  
UNSPECIFIED TOLERANCE:  $\pm 0.05$   
(TOP VIEW)



Item No. : DS-710