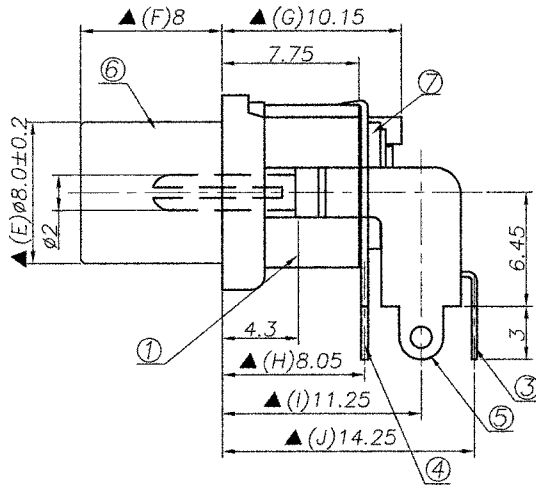
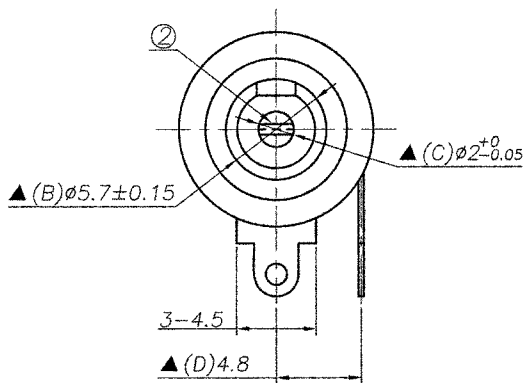
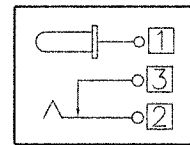
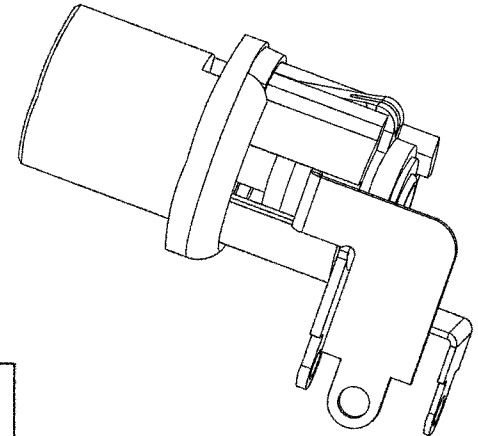


RECOMMENDED P. C. B. LAYOUT  
 UNSPECIFIED TOLERANCE:  $\pm 0.05$   
 (COPPER-SIDED VIEW)



Model No.	DS-078NA(8)	DS-078NB(8)
Pin	$\phi 2.5$	$\phi 2.0$