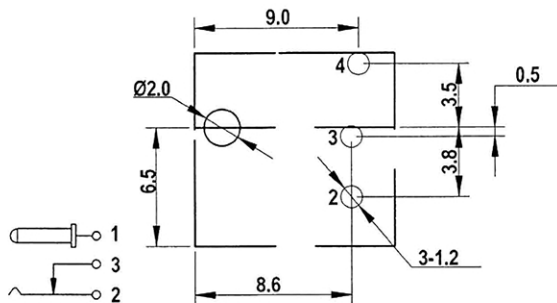


Model No.	DS-007A	DS-007B
Pin	$\text{Ø}2.5$	$\text{Ø}2.0$



Schematic

PC.B Layout Top View